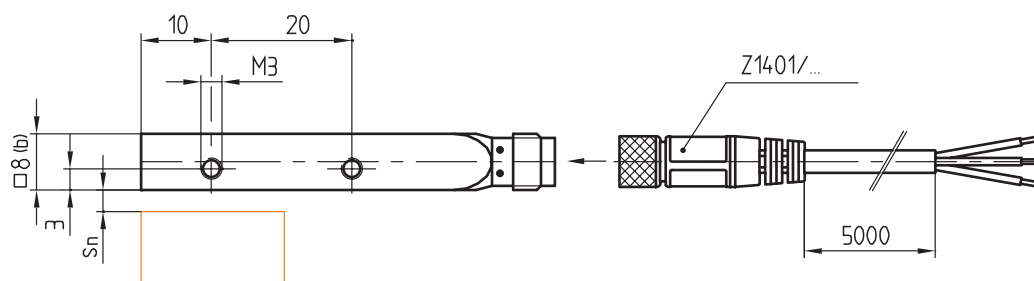
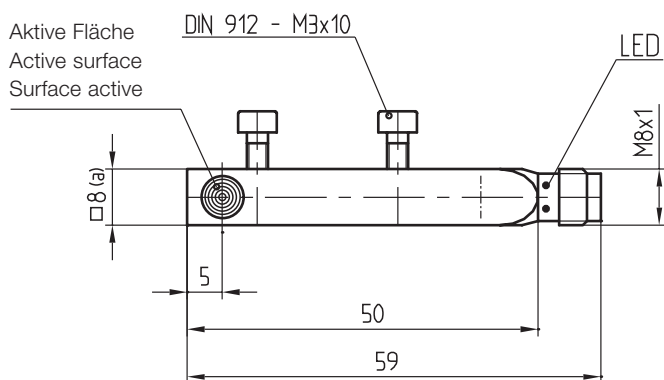


Z1475/...

10 ... 30V $\overline{\sim}$ / \leq 300mA



► Info



max. °C	S _n	axb	Nr./No.
70	2	8x8	Z1475/2/8x8

This is trial version
www.adultpdf.com